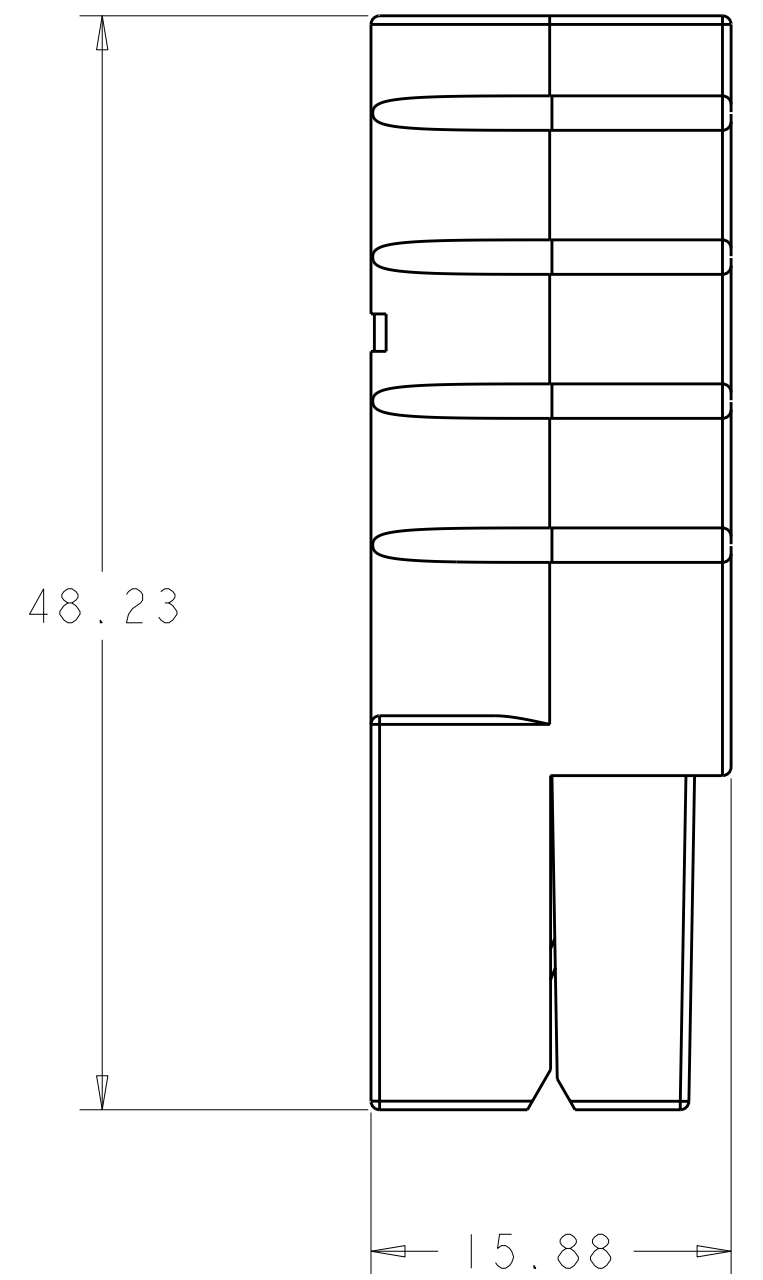
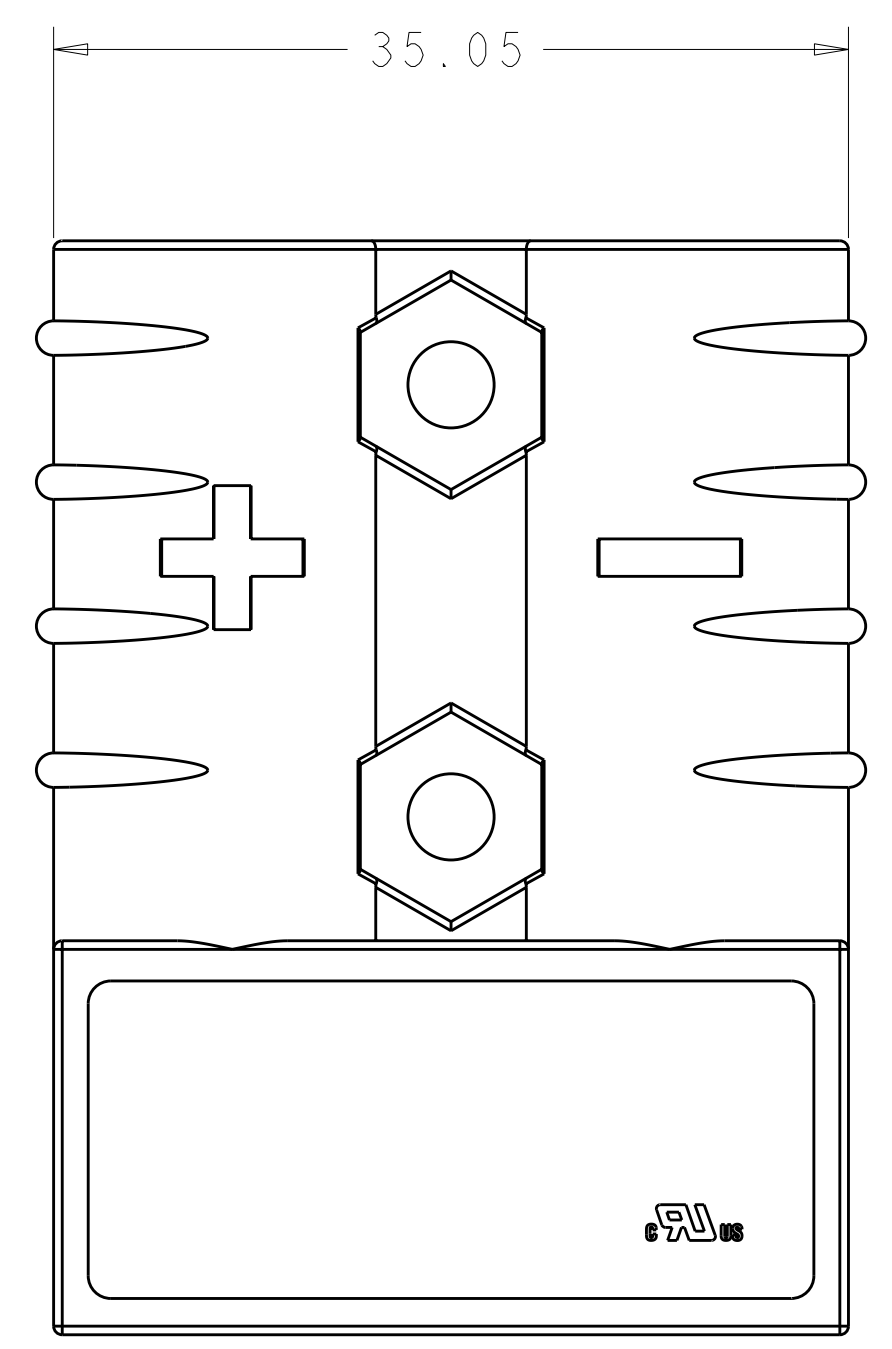
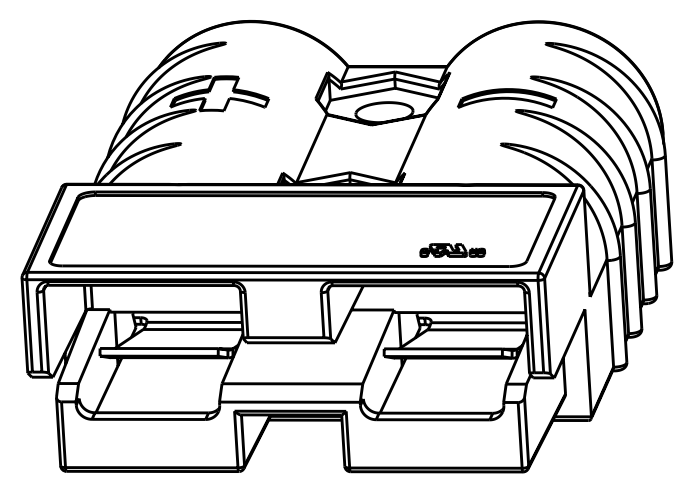


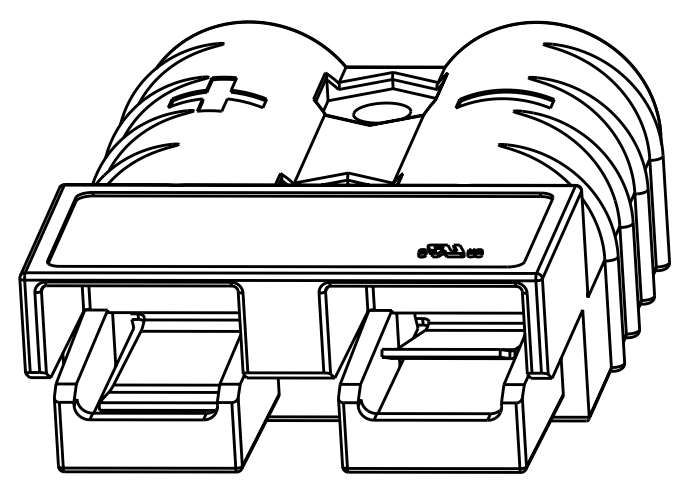
LOC	DIST	REVISIONS			
CM	00	REV	DATE	DWN	APVD
		A3	REVISED PER ECO-11-004820	11MAR2011	RK HMR



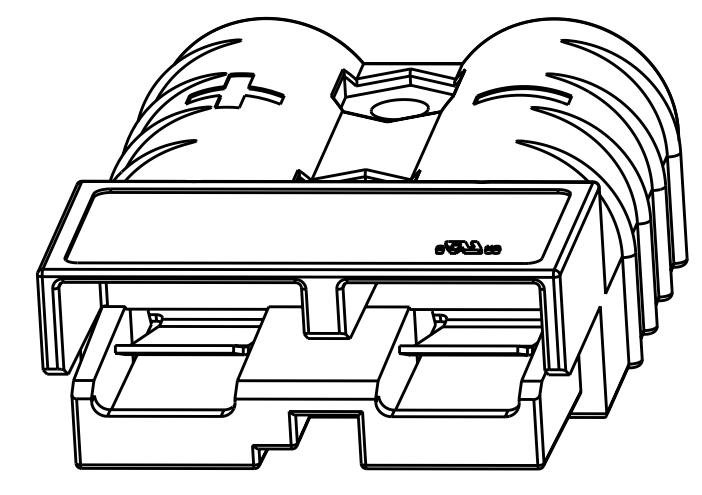
1. THIS PRODUCT HAS PASSED VERIFICATION AND AGENCY APPROVALS TESTING AND IS COMPONENT RECOGNIZED PER UL 1977 AND CSA 22.2. TE CONNECTIVITY PRODUCT QUALIFICATION TESTING IS NOT YET COMPLETED.



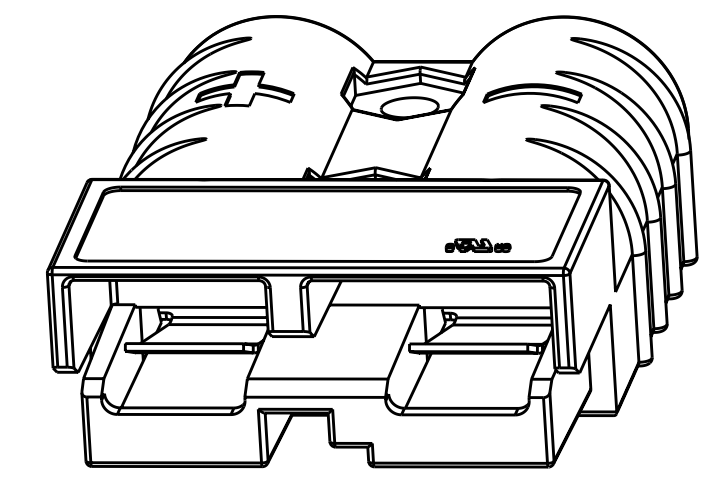
647845-3
SCALE 2:1



647845-4 AND 647845-7
SCALE 2:1



647845-5
SCALE 2:1



647845-8
SCALE 2:1

YELLOW	647845-8
BLACK	647845-7
BLUE	647845-5
GRAY	647845-4
RED	647845-3
COLOR	PART NUMBER



THIS DRAWING IS A CONTROLLED DOCUMENT.		DWN SHANE WUEST 18JUN2001	TE Connectivity CONNECTOR ASSEMBLY, AMP POWER SERIES 50
DIMENSIONS: mm		CHK K. KETELSLEGER 18JUN2001	
TOLERANCES UNLESS OTHERWISE SPECIFIED:		APVD K. KETELSLEGER 18JUN2001	NAME
0 PLC	±	PRODUCT SPEC	SIZE CAGE CODE DRAWING NO
1 PLC	±0.13	APPLICATION SPEC	A100779C-647845
2 PLC	±0.13	WEIGHT	RESTRICTED TO
3 PLC	±	CUSTOMER DRAWING	SCALE 2:1 SHEET 1 OF 1 REV A3
4 PLC	±		
ANGLES	±		
FINISH	±		